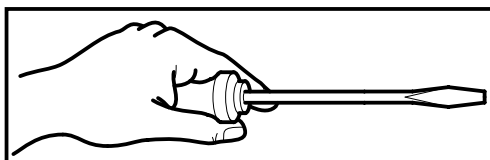
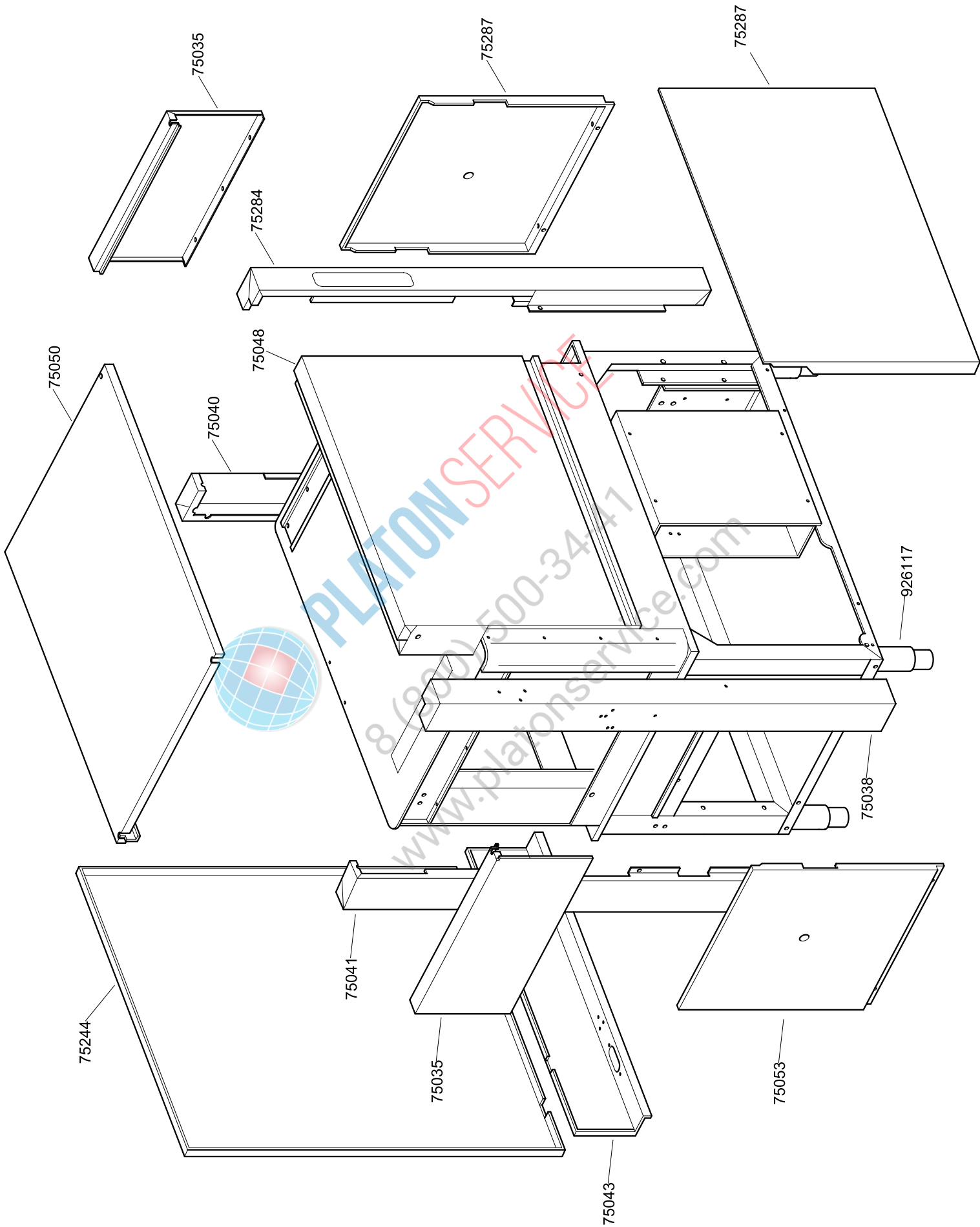
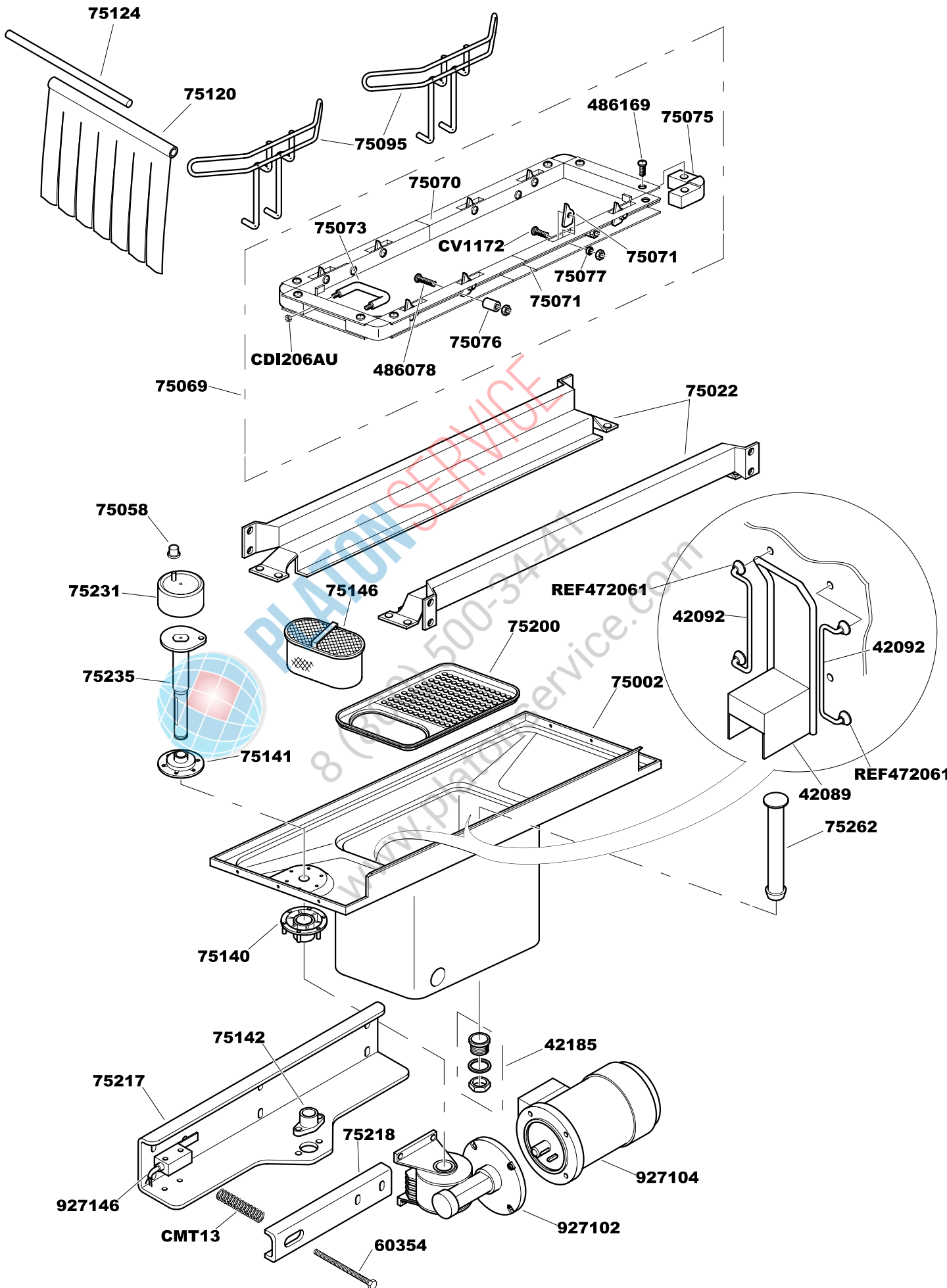


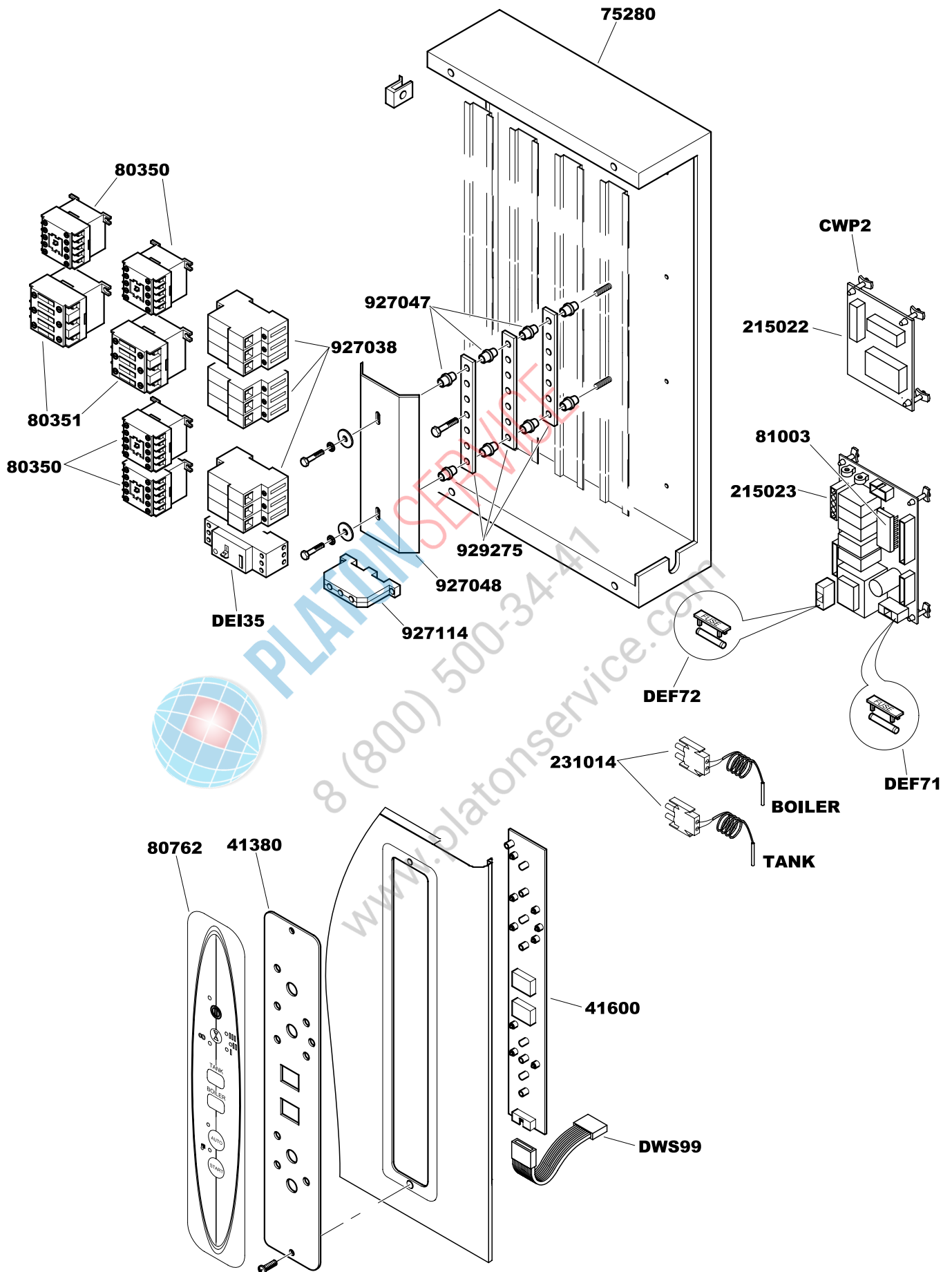
River

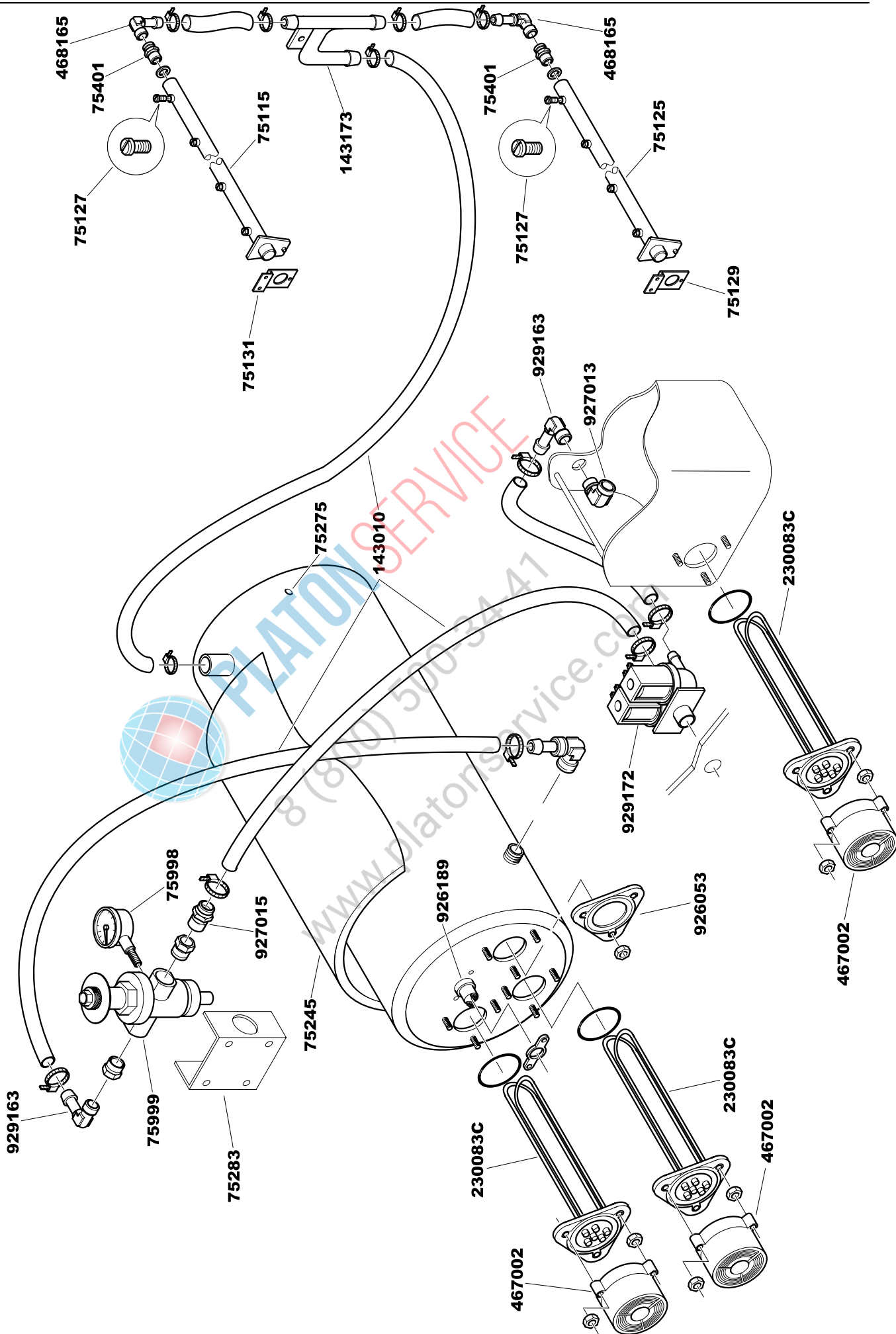
150

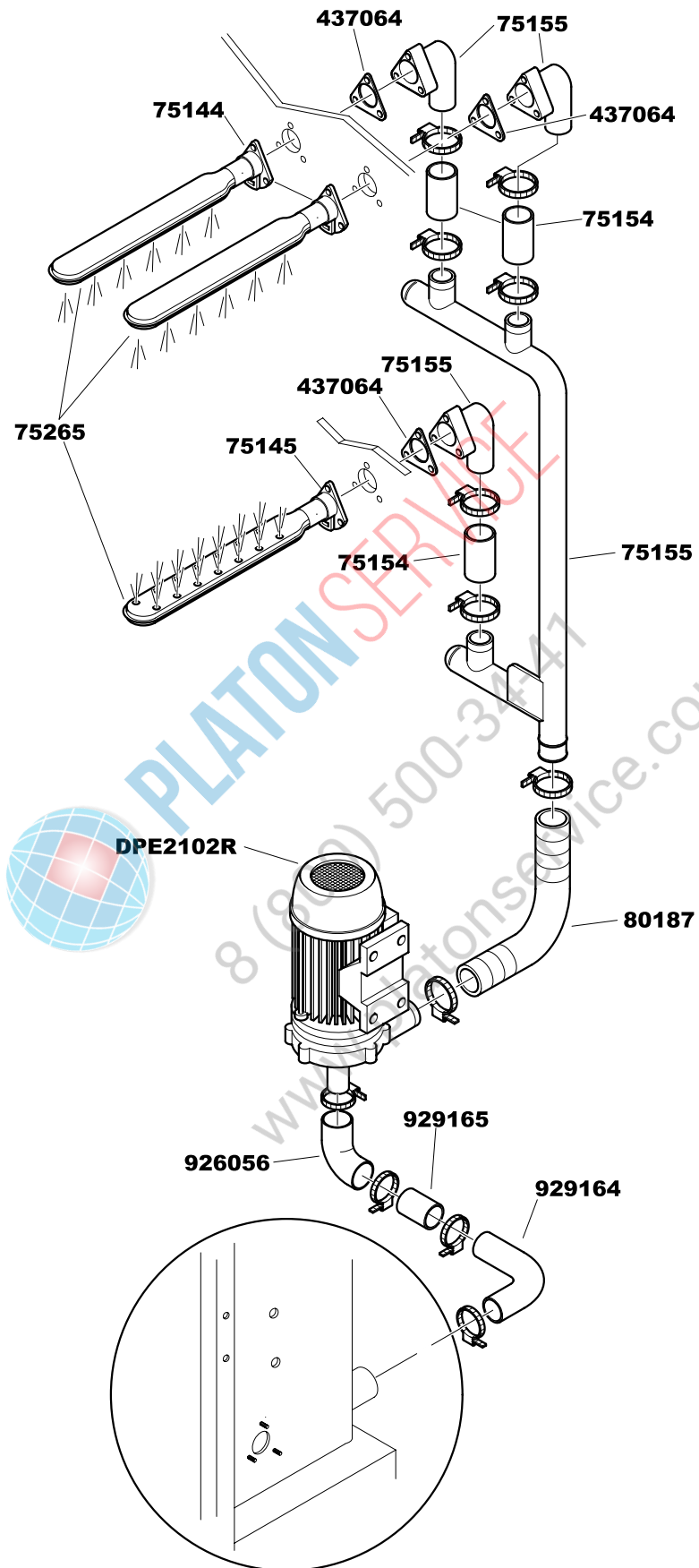


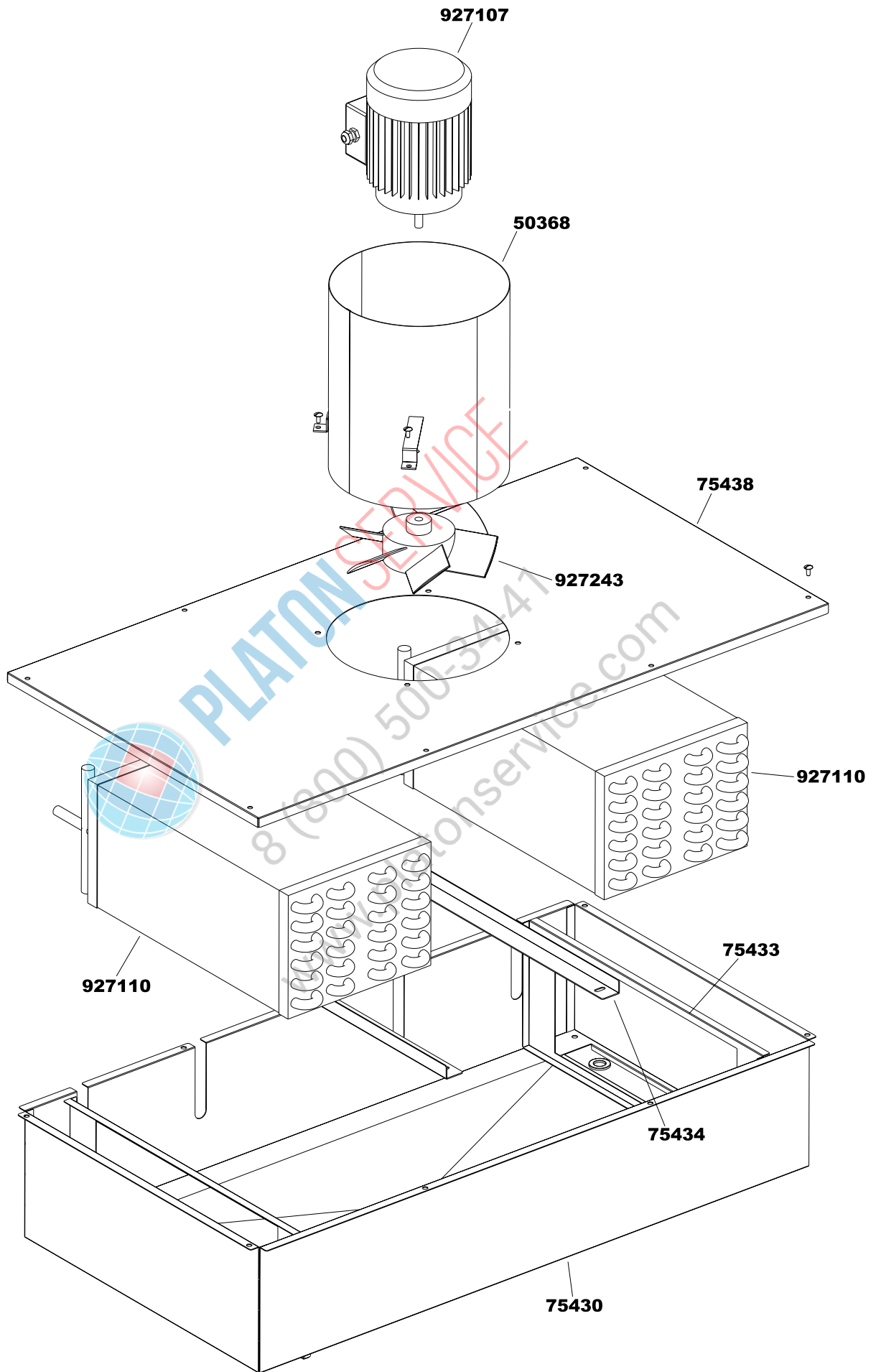


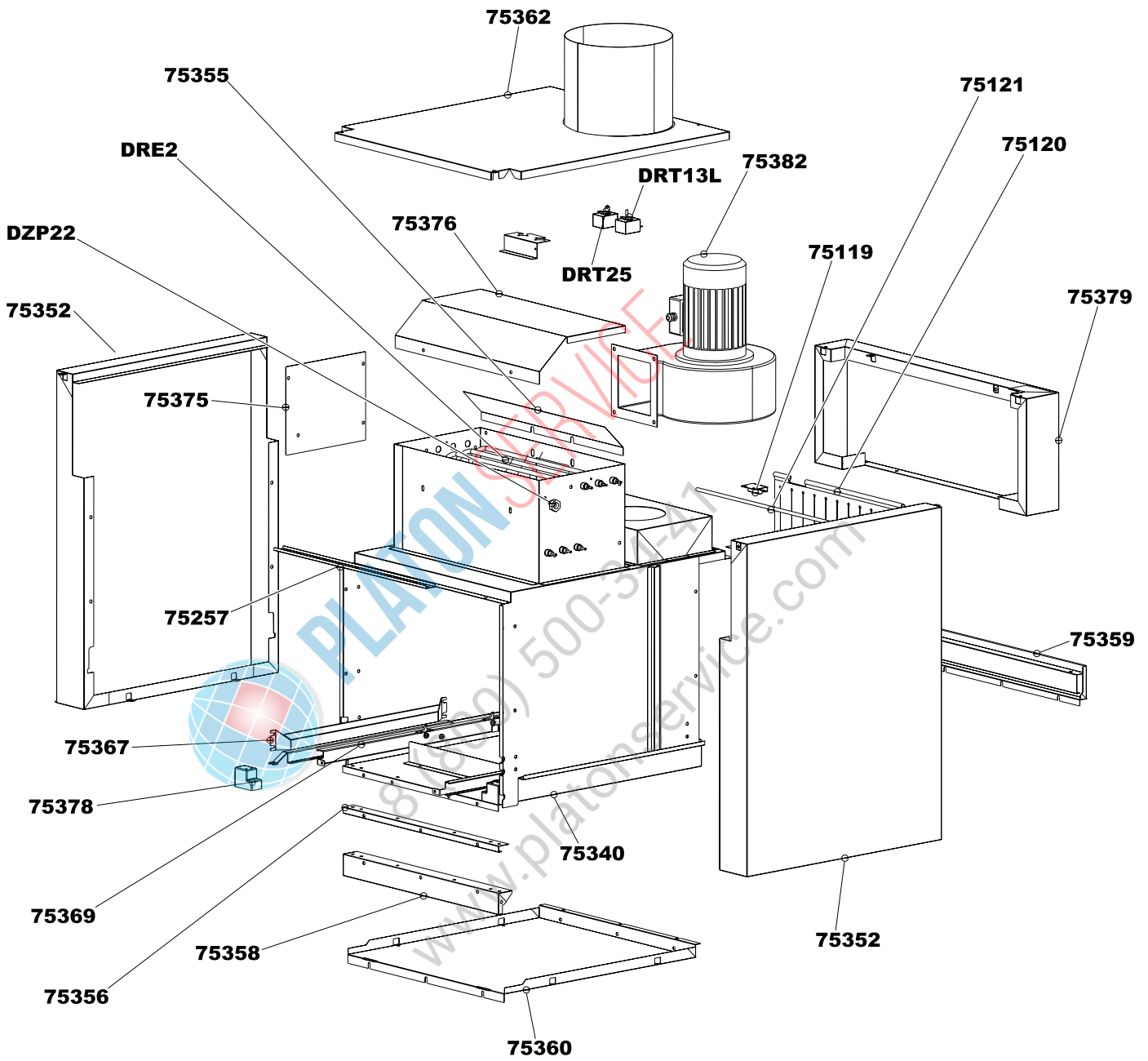


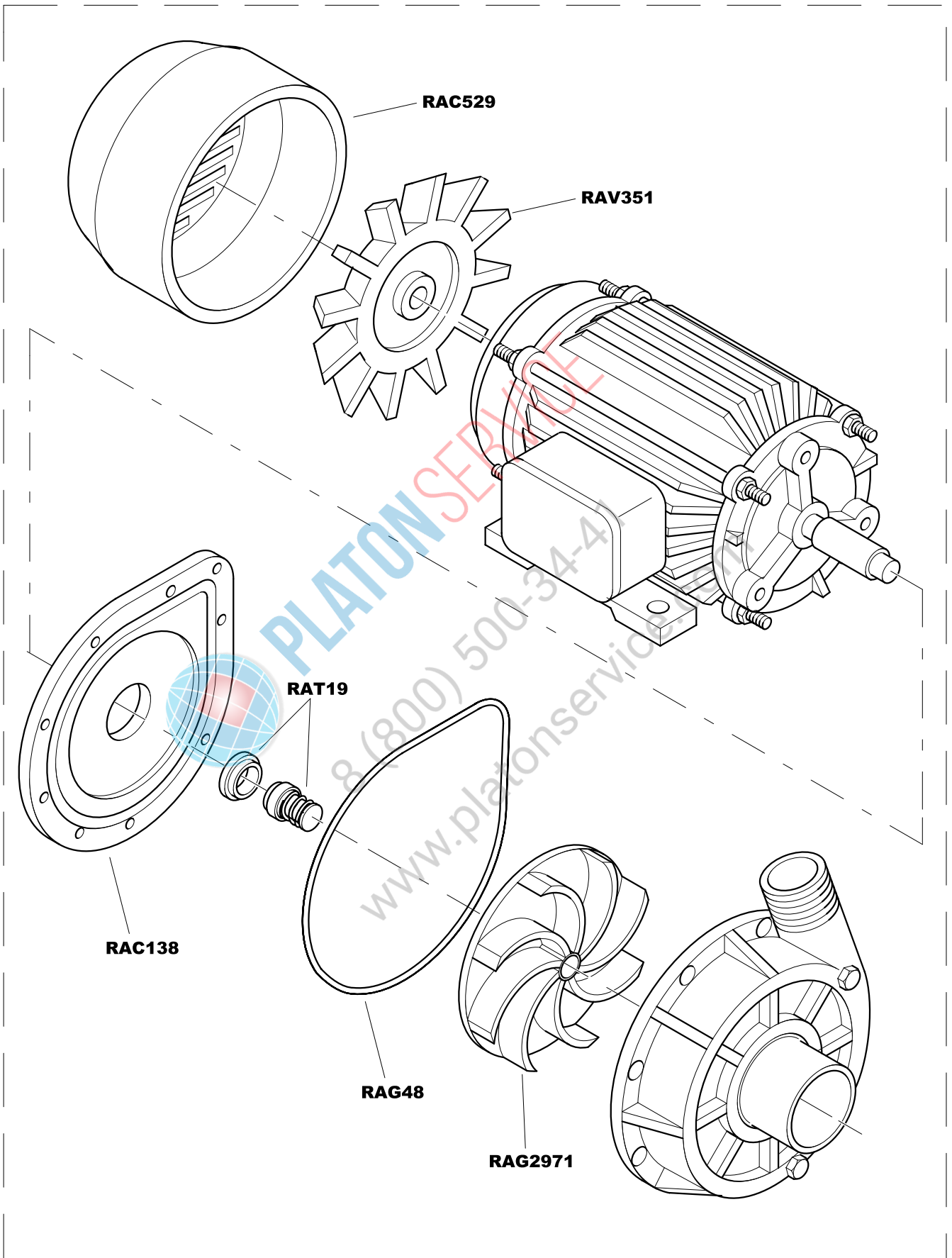












DPE 2102R